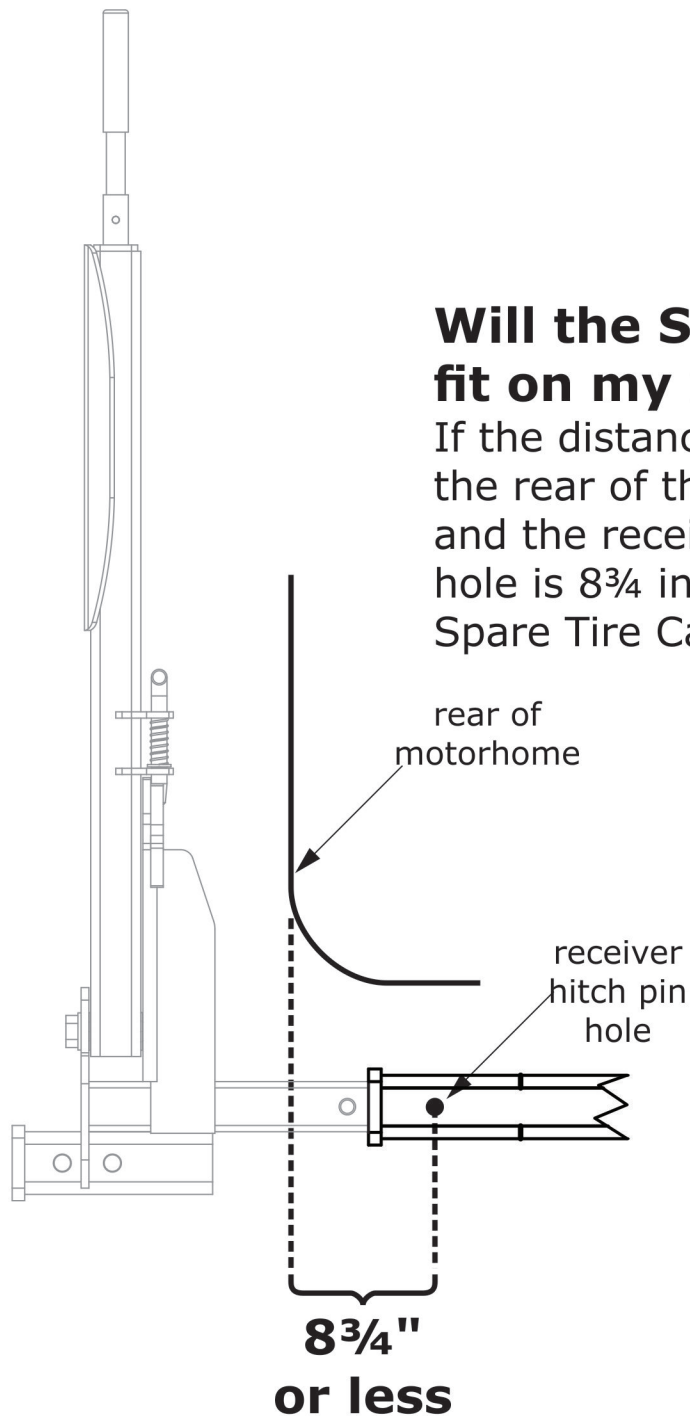


## Will the Spare Tire Carrier fit on my motorhome?

If the distance between the rear of the motorhome and the receiver hitch pin hole is  $8\frac{3}{4}$  inches or less, the Spare Tire Carrier should fit.



Time Tested • Time Proven