



Time Tested • Time Proven

852471-02 03/15

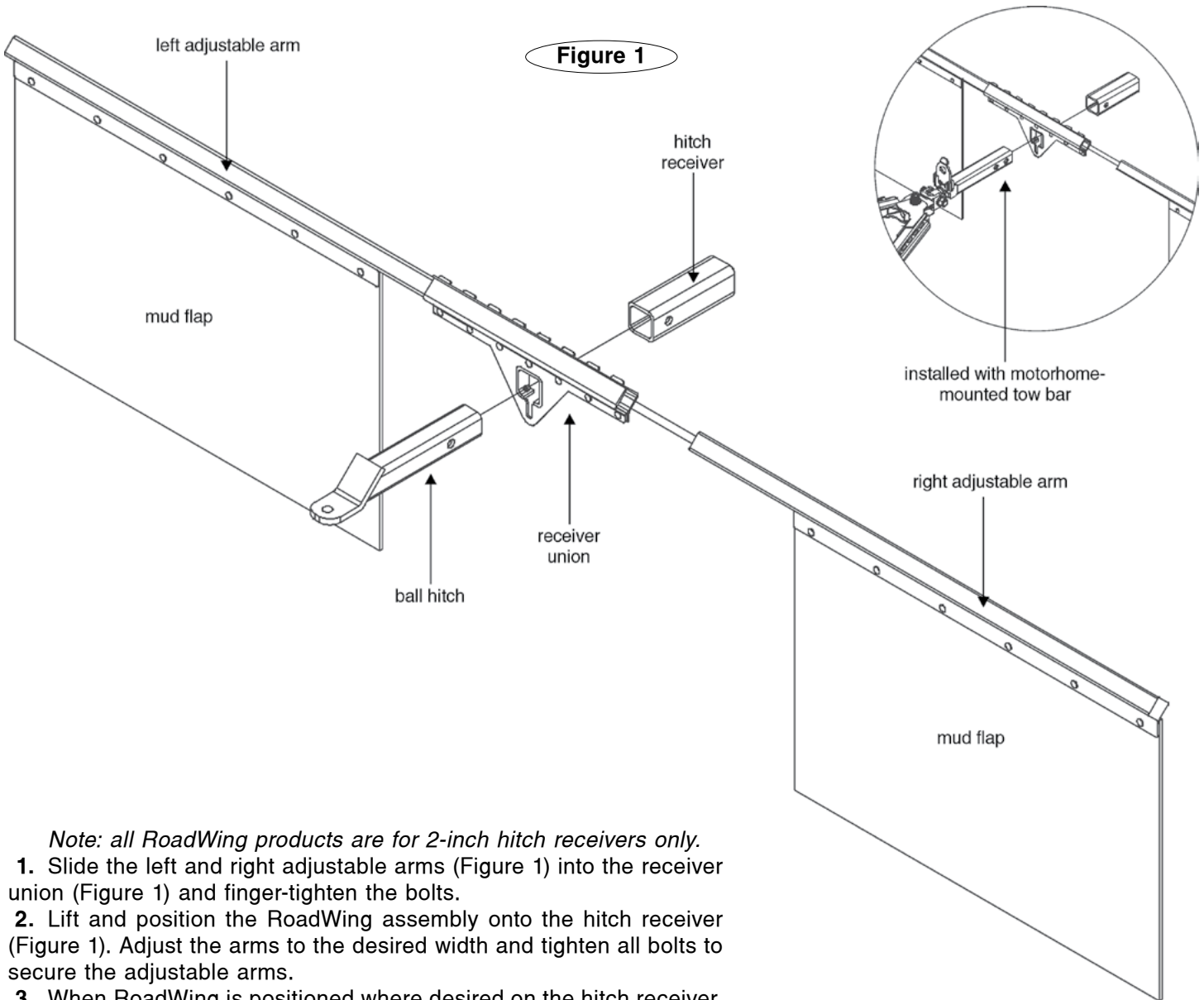


part number 4400-102

Installation Instructions

All specifications are subject to change without notice.

ROADMASTER, Inc. 6110 N.E. 127th Ave. Vancouver, WA 98682 800-669-9690 Fax 360-735-9300 www.roadmasterinc.com



Note: all RoadWing products are for 2-inch hitch receivers only.

1. Slide the left and right adjustable arms (Figure 1) into the receiver union (Figure 1) and finger-tighten the bolts.
2. Lift and position the RoadWing assembly onto the hitch receiver (Figure 1). Adjust the arms to the desired width and tighten all bolts to secure the adjustable arms.
3. When RoadWing is positioned where desired on the hitch receiver, secure it in place by tightening the two set bolts.
4. Trim the mud flaps if necessary.

WARNING

Inspect the bolts for tightness on a regular basis. Otherwise, the adjustable arms will fall out.

Failure to follow these instructions may cause property damage, personal injury or even death.