

Baseplate Arm Order Form

Note: replacement baseplate arms are available *only* in pairs.

Fax completed form to 360-735-9300 or email to orders@roadmasterinc.com. Questions? Call 800-669-9690.

If possible, please take a photo of one of the receiver tubes (see illustration B) and fax or email it with this form.

baseplate owner information

Name _____
 Telephone _____
 Street Address _____
 City/State/Zip _____
 Email Address _____

for dealer use only

Company _____ Contact _____
 Telephone _____ PO# _____
 Ship to Address _____
 City/State/Zip _____
 Email Address _____

1. Baseplate part number (from tag on baseplate — see illustration A): _____

2. Date code (from tag on baseplate — see illustration A): _____

3. The year, make and model of your vehicle:

Year: _____ Make: _____ Model: _____

VIN (Vehicle Identification Number): _____

4. Is the receiver tube (see illustration B) round or square?

round square

5. Measure the *inside* diameter of the receiver tube (whether round or square).

Measurement: _____

6. If the receiver tube is square, does it have a tight radius or a loose radius? (see illustration C)

tight radius loose radius

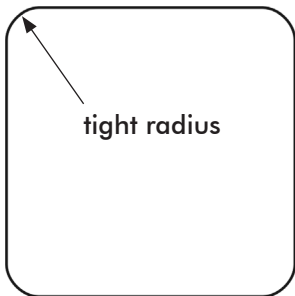
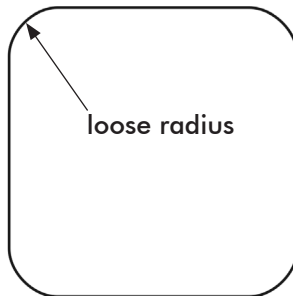


illustration C
square tube radiuses



7. If the receiver tube is square, measure from the center of the hitch pin hole (see illustration B) to the end of the receiver tube.

Measurement: _____

8. If the receiver tubes have padlock tabs (see illustration B), draw their location onto the illustration below. Do not draw the safety cable tabs.

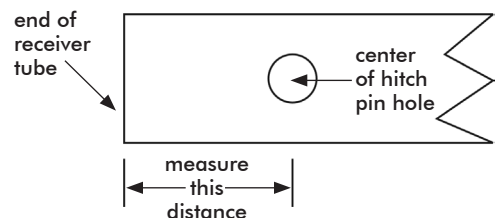
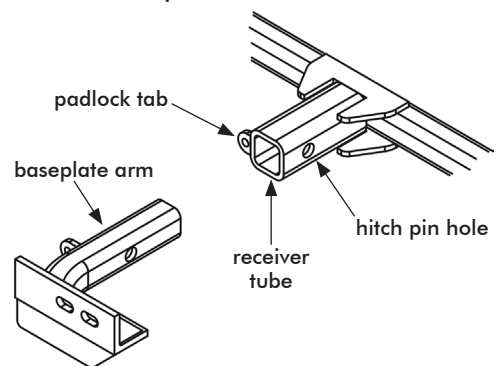
Note: padlock tabs have a 5/16-inch hole; safety cable tabs have a 5/8-inch hole.



illustration A
baseplate tag



illustration B
baseplate nomenclature



9. Notes or additional information:

IMPORTANT — PLEASE READ

Due to manufacturing variances the replacement baseplate arms we produce may require additional modifications. These modifications are not covered under warranty.

If replacement baseplate arms are produced according to the specifications provided above, they are non-returnable.

By my signature below I acknowledge that I have read this notice and agree to the above conditions of sale.

Signature _____ Date _____

For Roadmaster use only Tracking number: _____
