

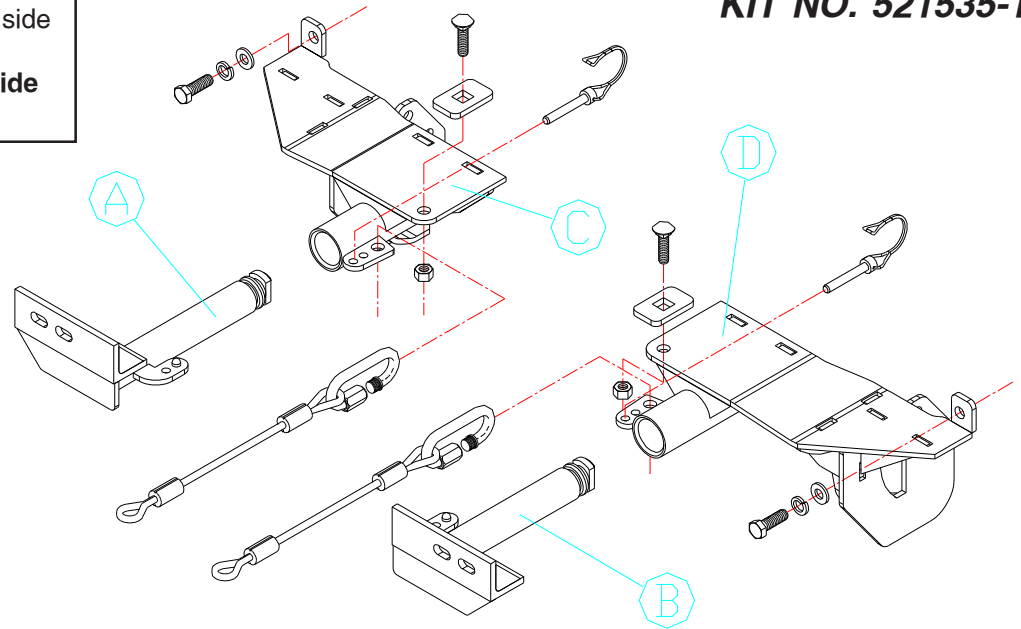
BASEPLATE KIT INSTALLATION INSTRUCTIONS

ROADMASTER, Inc. 6110 NE 127th Ave. Vancouver, WA 98682 1-800-669-9690 fax 360-735-9300 www.roadmasterinc.com

PARTS LIST:

- 1- FRONT BRACE (A) - Passenger side
- 1- FRONT BRACE (B) - Driver side
- 1- MAIN BRACE (C) - Passenger side
- 1- MAIN BRACE (D) - Driver side

KIT NO. 521535-1



10-27-00

IMPORTANT: All baseplates **must** be assembled with all the bolts left loose for final adjustment and positioning (before tightening) unless otherwise instructed. All bolts **must** be torqued for proper strength. If more than one bolt is used per fastening point, the diagram may only show one. Use flat washers over all slotted holes and lock washers on all fasteners.

WARNING

Failure to heed these warnings or follow the installation instructions may result in a voided warranty, loss of towed vehicle, personal injury or death.

- Do not weld or modify this baseplate or its components. Welding or modification will void the warranty.
- Do not use this document as a basis to design/fabricate a baseplate, as it may not show all parts or structural components.
- We strongly recommend professional installation.
- If the towed vehicle has been in an accident, it must be properly repaired before attaching the baseplate. Do not install the baseplate if any structural frame damage is found.
- The installer must use all bolts and parts supplied. If running changes were made by the vehicle manufacturer after this kit was designed, some bolts or other fasteners may no longer be the correct size. It is the installer's responsibility to verify this kit is securely fastened to the vehicle.
- Use Loctite® Red on all bolts used to secure this baseplate. Torque all bolts to the specifications found at the end of these instructions. Do not over-torque the bolts or failure may occur.
- The installer must inspect the baseplate to ensure adequate clearance, particularly around hoses, air conditioner lines, radiators, etc. or non-warranty failure may result.
- Roadmaster manufactures many styles of baseplates. If your baseplate has removable arms, they must be removed before driving the vehicle, unless the arms can be pinned or padlocked in place. If not secured, the arms could vibrate out.
- Some motorhome chassis have such a tight turning radius that you can damage your motorhome, towed vehicle, tow bar or baseplate while turning sharply. Before getting on the road, test your turning radius in

an empty parking lot. Turning too sharply could result in non-warranty damage to your towing system, motorhome and/or towed vehicle.

- Do not back up with the towed vehicle attached or non-warranty damage will occur to your towing system or vehicles.
- The safety cables must connect the towing vehicle to the towed vehicle frame to frame, with the cables crossed, with enough slack for sharp turns. See cable instructions for proper routing. Failure to do so will result in non-warranty damage and/or the loss of the towed vehicle.
- This kit is designed for use with ROADMASTER tow bars and ROADMASTER adapters only. Using this kit with other brands, without an approved ROADMASTER adapter, may result in non-warranty damage or injury.
- Receiver extensions and out-of-level towing situations of 3 inches or more. This can cause the system to swing much higher and lower, causing excessive strain on the tow bar, baseplate and frame. That can cause the towing system to fail, causing property damage, personal injury or even death. If you must use a receiver extension or drop hitch to tow, it will reduce your receiver's weight capacity by 1/3 to avoid damaging your system. Never use more than one extension and/or drop hitch, as this will void your warranty.
- Every 3,000 miles, the owner must inspect all mounting points for cracks or fatigue, and check the fasteners for proper torque, according to the bolt torque requirements chart on the last page of these instructions.
- The owner must follow the vehicle manufacturer's instructions to prepare the vehicle for towing. Failure to do so may cause severe damage to the vehicle.
- This baseplate is only warranted for the original installation. Installing a used baseplate on another vehicle is not recommended and will void the warranty.

BASEPLATE KIT INSTALLATION INSTRUCTIONS

ROADMASTER, Inc. 6110 NE 127th Ave. Vancouver, WA 98682 1-800-669-9690 fax 360-735-9300 www.roadmasterinc.com

KIT NO. 521535-1

1. **Important:** please use all supplied bolts and parts and read all instructions carefully before beginning this installation. The majority of questions you may have can be answered within the text, and proper installation will ensure safe and secure travel. Now, begin the installation. This is one of our EZ lock bracket series, which allows the visible front portion of the brackets to be easily removed from the front of the car by rotating the front braces. The bracket kit consists of two main receiver braces, two tubular front braces and a hardware pack. The rear receiver braces mount to the side and front of the unitized frame and protrude through the lower grille below the headlights and the bumper. The front tubular braces insert into the rear braces and rotate 90 degrees to lock in place. The passenger side of the lower grille will have to be trimmed to fit around the tubular portion of the main receiver brace. The front bumper fascia will have to be removed, trimmed to fit then reinstalled. Before starting the installation, lay out the kit components as it is illustrated. This will give you a visual idea of how the components work and also confirm that everything is present and accounted for.
2. Begin the installation by removing three plastic fasteners (one on the driver's side and two on the passenger side) and two bottom 10mm bolts holding the center splash panel. Set the panel aside for reinstallation. This will provide access to the subframe mounting area.
3. Now begin removing the bumper fascia. Starting with the top, remove seven plastic fasteners located on top of the grille. Moving to the bottom, remove three 10mm (head) bolts underneath and a bottom screw on each side. Locate the junction of the fascia and fender well and remove the 10mm head bolt found inside the fender well, on each side. Pull forward to remove the fascia.
4. Working on one side at a time, locate the removable tow plate bolted to the inside of the frame. Remove three bolts and discard the plate.
5. Remove a 14mm head bolt located below and outside the bumper core support. Hold the driver side receiver brace behind the radiator core support to the inside of the frame and to the bottom of the bumper core. Bolt in place with the 14mm head bolt just removed. Bolt the rear of the brace to the frame with three bolts removed in step 4. Tighten to torque specifications below.
6. Using the front mounting hole as a drill guide, drill a 17/32" hole through the bottom of the bumper core.
7. Fishwire a 1/2" x 1 1/2" carriage bolt, and a 1/4" x 1 1/4" x 2" backing plate through the end of the bumper core into the hole just drilled. Finish bolting with a 1/2" nut and lock washer.
8. Repeat steps 4 through 7 for the remaining side.
9. Torque all mounting bolts to the specifications below.
10. Hold the fascia in place and notice where the outer portion of the lower grille interferes with the receiver tubes. Trim this rib from each side then refit the front fascia, reversing step 3.

10-27-00

BOLT TORQUE REQUIREMENTS

Note: The torque values represented below are intended as general guidelines. Torque requirements for specific applications may vary. Roadmaster does not warrant this information to be accurate for all applications and disclaims all liability for any claims or damages which may result from its use.

STANDARD BOLTS			METRIC BOLTS			METRIC BOLTS		
Thread Size	Grade	Torque	Thread Size	Grade	Plated/Unplated	Thread Size	Grade	Plated/Unplated
5/16	5	13 ft./lb.	8mm-1.0	8.8	20 ft./lb. 18 ft./lb.	12mm-1.25	8.8	70 ft./lb. 65 ft./lb.
3/8	5	23 ft./lb.	8mm-1.25	8.8	19 ft./lb. 18 ft./lb.	12mm-1.5	8.8	66 ft./lb. 61 ft./lb.
7/16	5	37 ft./lb.	10mm-1.25	8.8	38 ft./lb. 36 ft./lb.	12mm-1.75	8.8	65 ft./lb. 60 ft./lb.
1/2	5	56 ft./lb.	10mm-1.5	8.8	37 ft./lb. 35 ft./lb.	14mm-2.0	8.8	104 ft./lb. 97 ft./lb.
5/8	5	150 ft./lb.						



BASEPLATE KIT INSTALLATION INSTRUCTIONS

ROADMASTER, Inc. 6110 NE 127th Ave. Vancouver, WA 98682 1-800-669-9690 fax 360-735-9300 www.roadmasterinc.com

KIT NO. 521535-1

11. Install the front braces by inserting with front braces vertical to the ground, push in and twist down 90 degrees to lock in place.
12. Replace the lower splash shield removed in step 2.
13. Mount the tow bar according to the tow bar manufacturer's instructions. Install the 10" safety cables to the side of the main receiver portion of the bracket with quick links provided. Attach the other end to the tow vehicle's safety cables and the tow bar.

Hardware list

- 2- 8mm x 1.25 x 35mm bolts
- 2- 8mm fender washers
- 2- 8mm lock washers
- 2- 1/4" x 1 1/4" x 2" backing plates
- 2- 1/2" nylock nuts
- 2- 1/2" x 1 1/2" carriage bolts
- 2- 10" safety cables
- 2- cable quick links
- 2- safety pins

10-27-00

BOLT TORQUE REQUIREMENTS

Note: The torque values represented below are intended as general guidelines. Torque requirements for specific applications may vary. Roadmaster does not warrant this information to be accurate for all applications and disclaims all liability for any claims or damages which may result from its use.

STANDARD BOLTS

Thread Size	Grade	Torque
5/16	5	13 ft./lb.
3/8	5	23 ft./lb.
7/16	5	37 ft./lb.
1/2	5	56 ft./lb.
5/8	5	150 ft./lb.

METRIC BOLTS

Thread Size	Grade	Plated/Unplated
8mm-1.0	8.8	20 ft./lb. 18 ft./lb.
8mm-1.25	8.8	19 ft./lb. 18 ft./lb.
10mm-1.25	8.8	38 ft./lb. 36 ft./lb.
10mm-1.5	8.8	37 ft./lb. 35 ft./lb.

METRIC BOLTS

Thread Size	Grade	Plated/Unplated
12mm-1.25	8.8	70 ft./lb. 65 ft./lb.
12mm-1.5	8.8	66 ft./lb. 61 ft./lb.
12mm-1.75	8.8	65 ft./lb. 60 ft./lb.
14mm-2.0	8.8	104 ft./lb. 97 ft./lb.

All illustrations and specifications contained herein are based on the latest information available at the time of publication approval. ROADMASTER, INC. reserves the right to make changes at any time without notice in material, specification and models or to discontinue models.